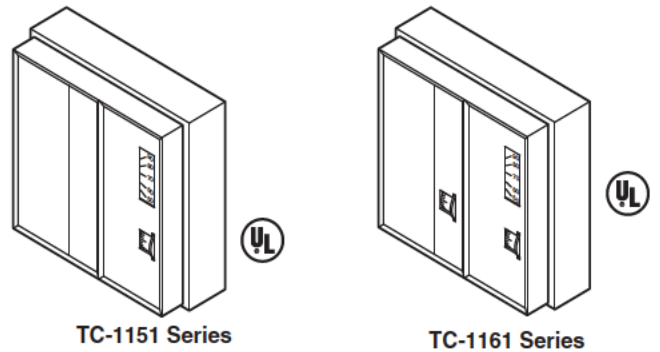


Two-Position Electric Duplex Room Thermostats

These thermostats provide temperature control for on-off applications requiring two individually adjustable thermostats under one cover. Typical applications include, day/night control, night and warm-up control, summer/winter and other energy conserving systems.

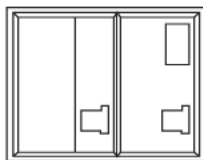
Features:

- Fixed switch differential.
- Dial stop pins to limit dial range.
- Lock cover screw kits available.
- Agency approval.
- Unit marked in °F or C°.
- Switch bases AT-607 and AT-608 available for custom applications.



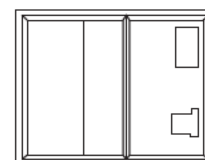
Model Chart											
Model No.	Dial Scale °F (°C)		Thermo meter	Electrical Ratings							
	Left Side	Right Side		Full Load Amps		Locked Rotor Amps		Current Rating (amps)	Voltage	Pilot Duty VA	Thermostat Switch Action
				24/120	240	24/120	240				
TC-1151	—	55 to 85	Yes	3	1.5	18	9	—	—	28 at 24 Vac 140 at 120/240 Vac	Two Stage 2 SPDT
TC-1151-116	—	13 to 29									2 SPDT
TC-1161	55 to 85	55 to 85									
TC-1161-116	13 to 29	13 to 29									
TC-1161-479	75 to 105	45 to 75	No	—	—	—	—	0.41	24 Vac	—	2 SPST
TC-1161-530 ^a	75 to 105							0.082	120 Vac		
TC-1161-531 ^a											

^a 3F degree cooling and heating anticipation. Heat anticipation should be used when system differential varies from specified thermostat differential. Wide system differential may be due to thermostat guards, material on which the thermostat is mounted, location of thermostat, etc.



Standard

TC-1161 Standard Model

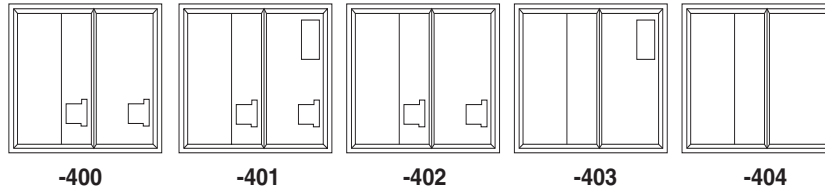


Standard

TC-1151 Standard Models

Figure 1 Standard Covers.

TC-1151 Series, TC-1161 Series



**Figure 2 Options for Quantities of 24 or more of each part number.
Add dash number to base part number for desired option.**

Specifications

Setpoint dial range	See Description Model Chart.
Sensing element	Bimetal.
Differential	Switching: 2 F degrees (1.1 C degrees). Staging: Adjustable 2 to 10 F degrees (1.1 to 5.6 C degrees), factory adjusted between 2 and 4 F degrees.
Environment	
Ambient temperature limits	Shipping: -40 to 160°F (-40 to 71°C). Operating: 40 to 140°F (4 to 60°C).
Humidity	5 to 95% RH, non-condensing.
Locations	NEMA Type 1.
Electrical ratings	See Model Chart.
Connections	Coded screw terminals.
Cover	Plastic.
Mounting	Flush on single or 2-gang switch box or 4 x 4 in. (102 x 102 mm) surface box or directly to wall (24 Vac only).
Dimensions	4-3/8 H x 4-3/4 W x 1-5/8 D in. (111 x 121 x 41 mm).
Agency Listing	UL.
General Instructions	TC-115: Refer to F-18782. TC-1161: Refer to F-16290.

Accessories

Model No.	Description
AT-101	Lock cover kit (2 required per thermostat).
AT-104	Dial stop pins (note: pins included with each unit).
AT-546	Auxiliary mounting plate
AT-607	Selector switch sub-base DP4T.
AT-608	Selector switch sub-base one DP4T, one DPDT.
AT-1155	Plastic guard for TC-1161 series.
AT-1163	Plastic guard for TC-1151 series.
AT-1165	Plastic guard.
TOOL-11	Calibration wrench.
TOOL-13	Contact burnishing tool.

Typical Applications

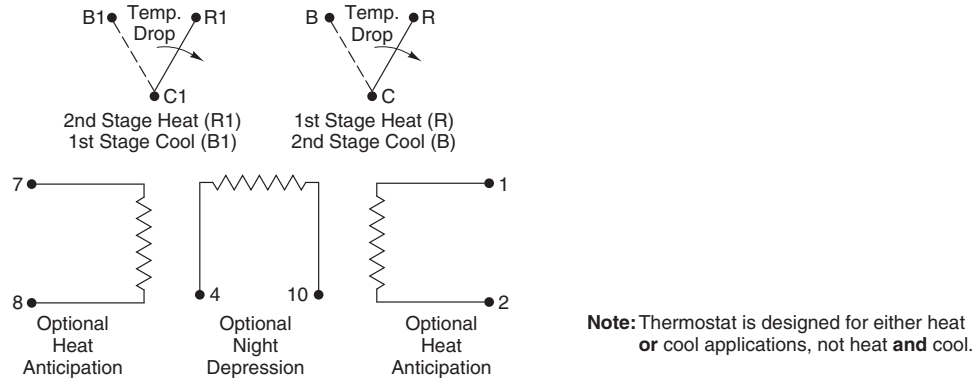
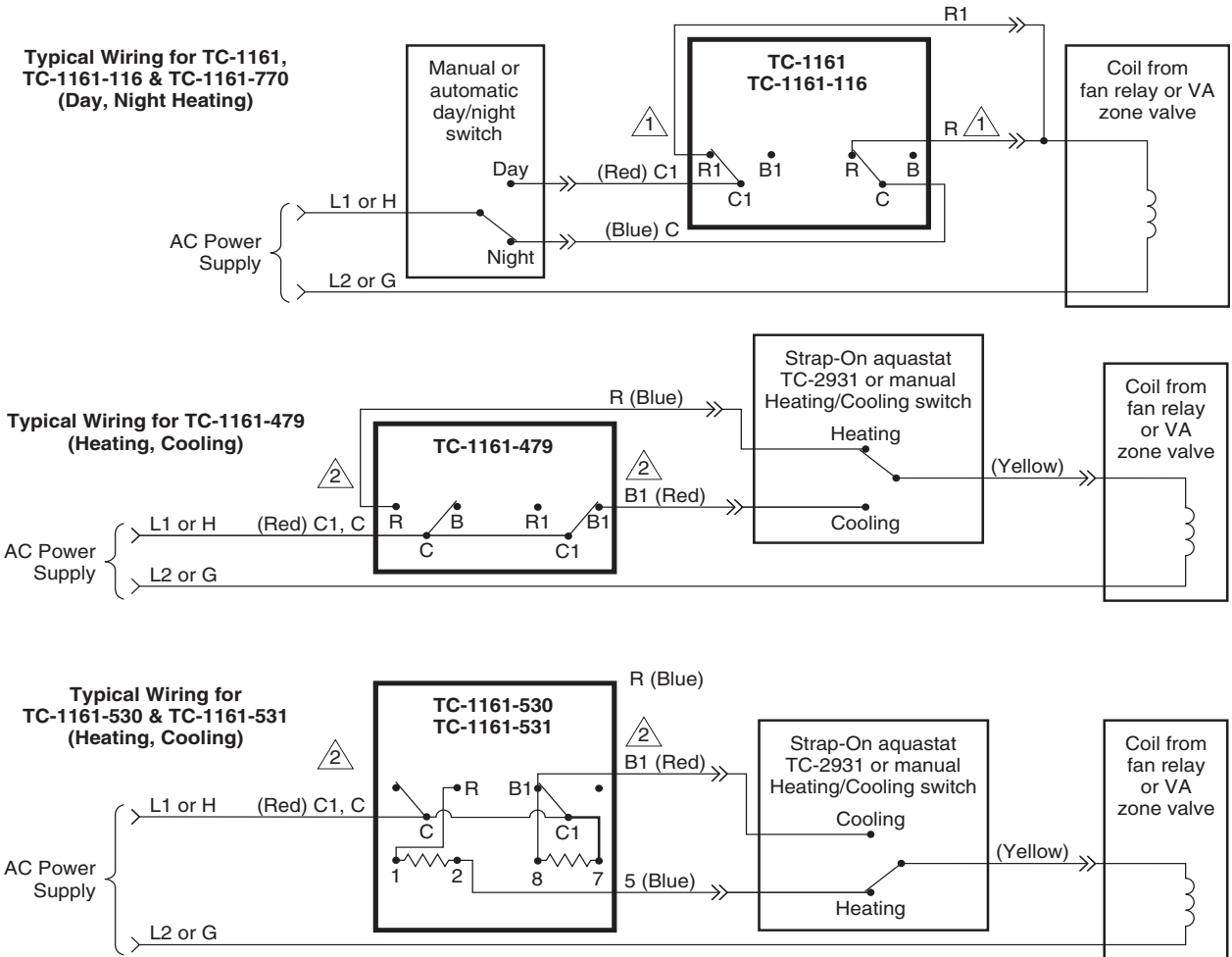


Figure 3 TC-1151 Series Switch Action and Lead Identification.



- 1 "R" and "R1" close on temperature drop. "B" and "B1" close on temperature rise.
- 2 "R" closes on temperature drop. "B1" closes on temperature rise.

Figure 4 Typical Wiring Diagrams.